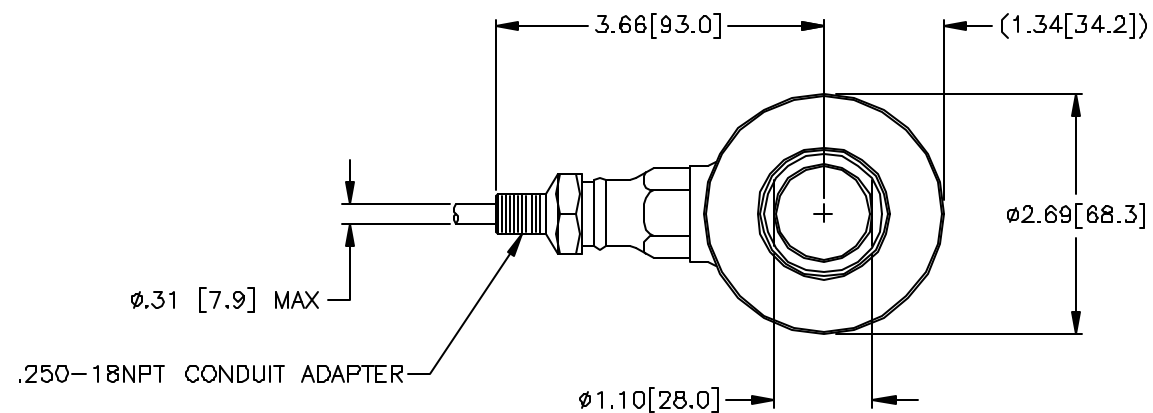
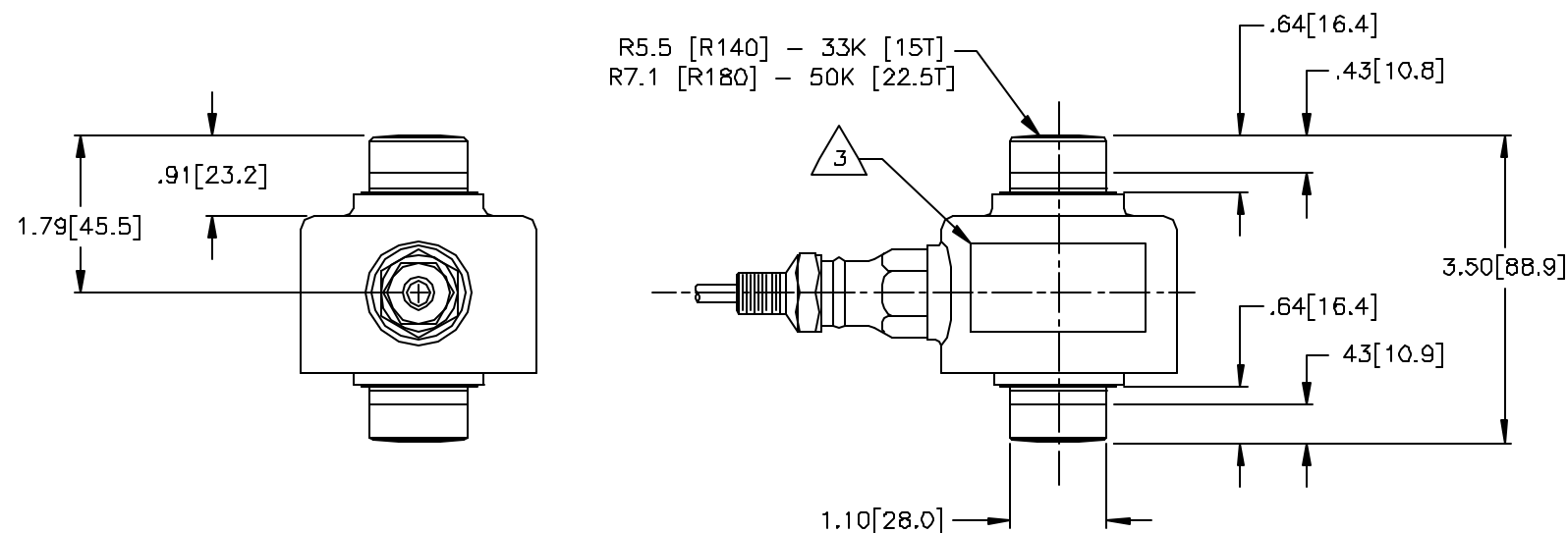


REV.	ECD/DDC	DESCRIPTION	DATE	DRAFT	CHECK	APV'D
A	08107	RELEASED	07-09-01	L.B.O.	S.N.	V.J.C.



CAPACITY LBS [T]	MODEL NUMBER	PART NUMBER
33K [15]	HI RCH04-33K	0554-0021-01
50K [22.5]	HI RCH04-50K	0554-0021-02



- LOAD SENSOR IS STAINLESS STEEL 17-4PH (1.4548).
- CABLE IS 6 CONDUCTOR, SHIELDED AND 30 FT. IN LENGTH. CABLE SHIELD IS FLOATING.
- C2 WIRE COLOR CODE FLAG LABEL, PN 0530-0594, TO BE LOCATED APPROX. 10 IN. FROM END OF CABLE.

EXCITATION +	RED
EXCITATION -	BLACK
SIGNAL +	GREEN
SIGNAL -	WHITE
C2 +	GRAY
C2 -	VIOLET
SHIELD	YELLOW


- CABLE WIRE ENDS ARE STRIPPED BACK 0.5 IN. AND TINNED. CABLE JACKET IS STRIPPED BACK APPROX. 5 IN.

3 LOCATION OF MODEL/SERIAL NUMBER LABEL, PN 0530-0345-XX.

- THIS DRAWING IS SUBJECT TO CHANGE WITHOUT NOTICE.

- RATED OUTPUT: 2mV/V ±0.002.

NOTES: UNLESS OTHERWISE SPECIFIED

ITEM	QTY	PART NUMBER	DESCRIPTION	COMMENTS
0088-0088 OUTLINE DRAWING, LOAD SENSOR, HI RCH04 SERIES				
PARTS LIST				
UNLESS OTHERWISE SPECIFIED DIMENSIONS ARE IN INCHES [MM]		CONTRACT NO.		
TOLERANCES ARE:		APPROVALS		
DECIMALS: .XX AND .XXX = ±.015 [.40]		DRAWN	DATE	 TITLE OUTLINE DRAWING, LOAD SENSOR, HI RCH04 SERIES
ANGLES: N/A		V. CHULA	05-09-00	
		CHECKED	DATE	
		L. OFTEDAHL	05-12-00	
MATERIAL		APPROVED	DATE	
		T. KOPCZYNSKI	05-15-00	
FINISH		ISSUED	DATE	
		K. McNULTY	05-15-00	
DO NOT SCALE DRAWING		PRODUCTION	DATE	
SIZE	FSCM	DRAWING NO	REV.	
D	21316	0588-0088	A	
FILE NAME	58B088A1.DWG	SCALE	NONE	SHEET 1 OF 1

PROPRIETARY NOTICE
 ALL DATA AND INFORMATION CONTAINED IN OR DISCLOSED BY THIS DOCUMENT IS CONFIDENTIAL AND PROPRIETARY INFORMATION OF HARDY INSTRUMENTS INC. AND ALL RIGHTS THEREIN ARE EXPRESSLY RESERVED. BY ACCEPTING THIS MATERIAL THE RECIPIENT AGREES THAT THIS MATERIAL AND THE INFORMATION CONTAINED THEREIN IS HELD IN CONFIDENCE AND IN TRUST AND SHALL NOT BE USED, COPIED, REPRODUCED IN WHOLE OR IN PART, NOR ITS CONTENTS REVEALED IN ANY MANNER TO OTHERS, EXCEPT TO MEET THE SPECIFIC PURPOSE FOR WHICH IT WAS DELIVERED.